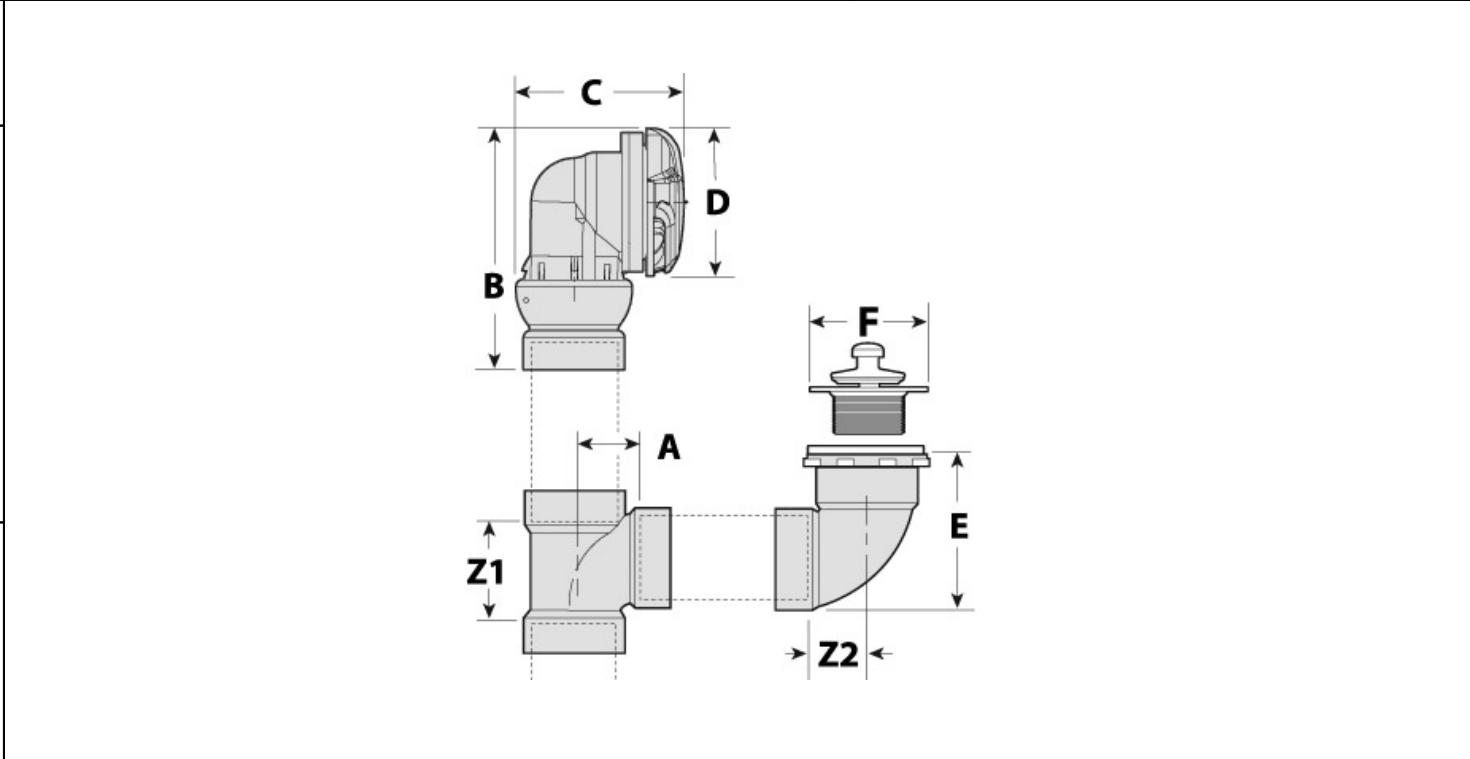
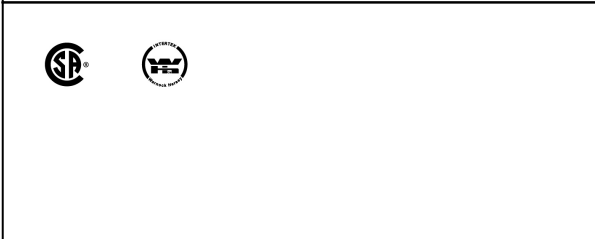




Part Description:
 PVC FR-Pro DWV adjustable angle bath
 waste and overflow kit with chrom plated Lift &
 Turn

Part Number:
 383856

Approvals and Listings maintained by:
Canplas Industries Ltd
 Canada: 1-800-461-5300 USA: 1-888-461-5307



Part #	Part UPC	Colour	Size (inches)	Ctn Qty	Ctn Bar Code	Ctn. Wt (Kgs)	Ctn. Wt (lbs)	Skid Cubic (m)	Skid Cubic (ft)	Ctns/Skid
383856	662671068675	Grey	1-1/2X1-1/2X1-1/2X1-1/2X1-1/2	25	10662671068672	14.79	32.54	1.79	63.37	24
Dimensions (inches)										
A	B	C	D	E	F	Z1	Z2			
1.41	3.80	3.80	3.25	3.39	2.75	1.42	1.43			