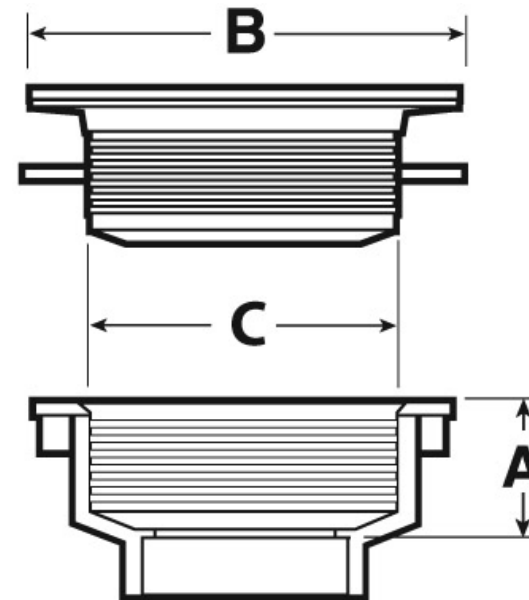


canplas
PLUMBING
Submittal Sheet

Part Description:
2" PVC FR-Pro Gray Shower Drain and
Female Threaded Body with Snap-In Stainless
Steel Strainer X H

Part Number:
382042SS

Approvals and Listings maintained by:
Canplas Industries Ltd
Canada: 1-800-461-5300 USA: 1-888-461-5307



Part #	Part UPC	Colour	Size (inches)	Ctn Qty	Ctn Bar Code	Ctn. Wt (Kgs)	Ctn. Wt (lbs)	Skid Cubic (m)	Skid Cubic (ft)	Ctns/Skid
382042SS	662671380074	GREY	2	25	10662671380071	6.06	13.33	1.79	63.37	72

Dimensions (inches)

A	B	C
1.47	4.27	3.21