



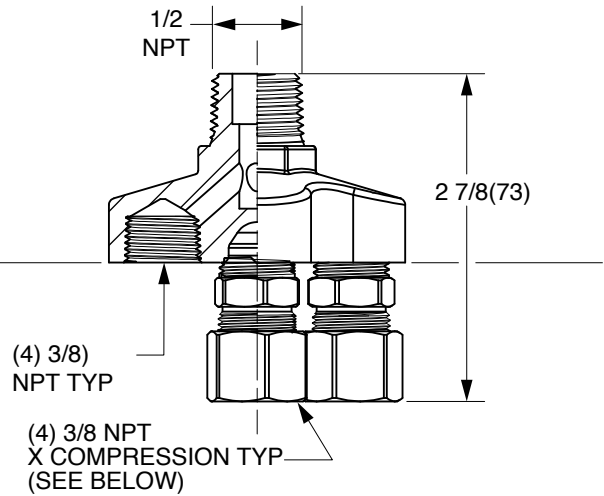
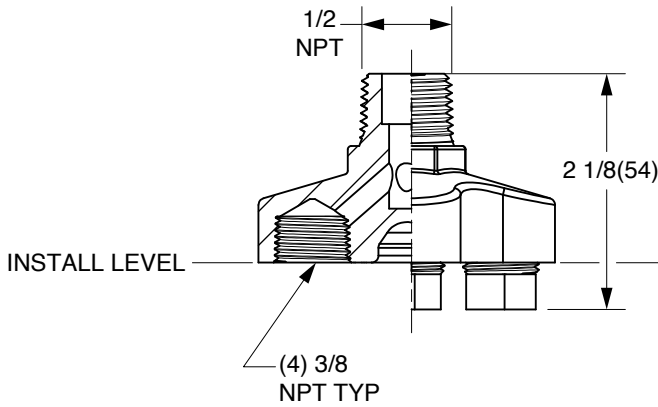
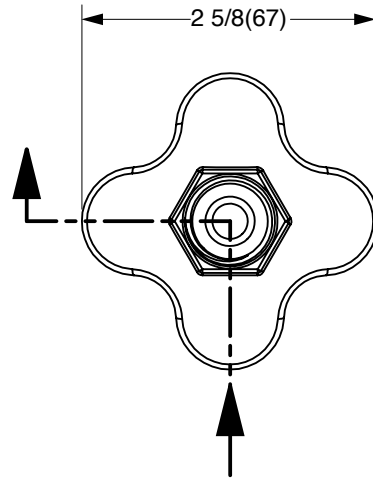
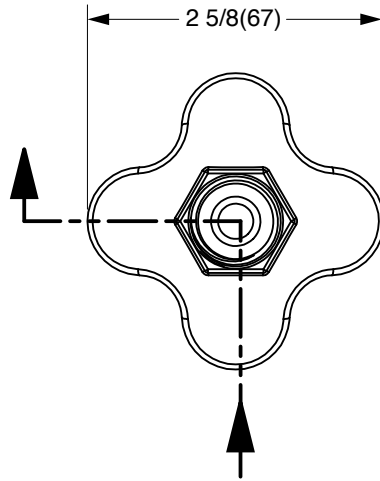
SMITH
FLUID
CONTROLS®

JAY R. SMITH MFG. CO.®
MEMBER OF MORRIS GROUP INTERNATIONAL
POST OFFICE BOX 3237
MONTGOMERY, ALABAMA 36109-0237 (USA)
TEL: 334-277-8520 FAX: 888-377-7818 www.jrsmith.com

LOCATION

DISTRIBUTION UNIT

FUNCTION: Used to divide the output of a trap primer where 2 to 4 trapped drains are installed.



- Fig. 2694DA
(2) 3/8" NPT PLUGS
- Fig. 2694DA-ABS
(2) 3/8" NPT PLUGS

- Fig. 2694DA-500
(4) 3/8" NPT X 1/2"(13) O.D.
COMPRESSION TYP
- Fig. 2694DA-625
(4) 3/8" NPT X 5/8"(16) O.D.
COMPRESSION TYP
- Fig. 2694DA-ABS-500
(4) 3/8" NPT X 1/2"(13) O.D.
COMPRESSION TYP
- Fig. 2694DA-ABS-625
(4) 3/8" NPT X 5/8"(16) O.D.
COMPRESSION TYP

REGULARLY FURNISHED:
Lead Free Brass or ABS Body
with 1/2" NPT Inlet Connection
with Outlet Connection as
indicated by Figure Number
Selected.



PATENT NO. US10,066,378

DRAWING NUMBER
S2694DA

SIZE
A

SCALE:
NONE

DATE:
7-20-18

APPROVED BY:
DP

CHECKED BY:
DP

DRAWN BY:
TBW

2694DA

FIGURE NUMBER

B	3-4-20	Rev. Drawing: Add Install Level	MW	JM
A	12-2-19	Added UPC	MW	CL
REV.	DATE	DESCRIPTION	BY	CKD. BY

WEIGHT POUNDS	VOLUME CUBIC FEET

FIGURE NUMBER 2694DA

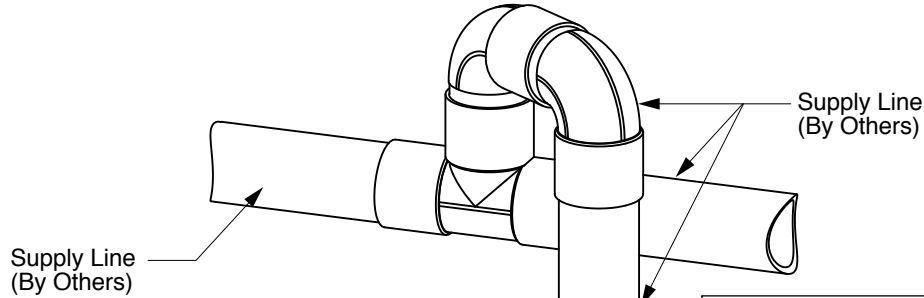


SMITH
FLUID
CONTROLS®

JAY R. SMITH MFG. CO.®
MEMBER OF MORRIS GROUP INTERNATIONAL
POST OFFICE BOX 3237
MONTGOMERY, ALABAMA 36109-0237 (USA)
TEL: 334-277-8520 FAX: 888-377-7818 www.jrsmith.com

LOCATION

TYPICAL ASSEMBLY WITH A DISTRIBUTION UNIT



GUARANTEE WARRANTY: All Smith products are guaranteed against defective materials and workmanship for a period of one year from the date of purchase. We will replace, free of charge, any product proven defective that has been properly installed, properly maintained and used in accordance with recommended instructions. We shall not be responsible for any labor charges or any loss, injury or damages whatsoever, including incidental or consequential damages. The implied warranty is limited solely to the replacement of the defective goods. This warranty is in lieu of other warranties, express, implied in fact or implied by law.

SMITH FIG NUMBER
2694
TRAP PRIMING VALVE

FLOW

NOTES

1. Install the drain fittings (compression & plug) into the DA drainage outlets.
2. Install the DA unit between rigid supply/ primer and rigid drain lines as shown.
3. DA unit may be threaded directly into the primer outlet - HAND TIGHTENED.
4. DA unit shall be installed level for optimal distribution.

WARNING: This is a gravity drain not intended to be pressurized.

SMITH FIG NUMBER
2694DA-500
DISTRIBUTION UNIT

INSTALL LEVEL

PLUMB

DRAINAGE OUTLETS

FLOW

Fig. 2694 with
Fig. 2694DA-500
(4) 3/8" NPT X 1/2"(13) O.D.
COMPRESSION TYP

DRAWING NUMBER
S2694DA-BS

SIZE
A

SCALE:
NONE

DATE:
7-22-14

APPROVED BY:
JM

CHECKED BY:
CL

DRAWN BY:
TBW

FIGURE NUMBER
2694DA-BS

WE CAN ASSUME NO RESPONSIBILITY FOR USE OF SUPERSEDED OR VOID DATA

DIMENSIONS ARE SUBJECT TO MANUFACTURERS TOLERANCE AND CHANGE WITHOUT NOTICE

C	12-1-20	Rev. Piping, Added Notes	TBW	JM	WEIGHT POUNDS	VOLUME CUBIC FEET	FIGURE NUMBER 2694DA-BS
B	3-4-20	Rev. Drawing: Add Install Level	MW	JM			
A	12-2-19	Revised Drawing	MW	CL			
REV.	DATE	DESCRIPTION	BY	CKD. BY			